



FIFTH WHEEL RV TRAILER COVER

This manual applies to RV types: Fifth Wheel RV Trailer

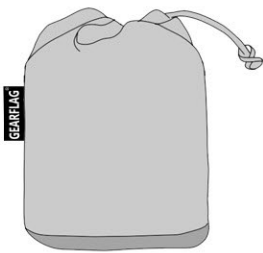
! WARNING

- * Do not occupy RV while camper cover is put on.
- * Do not trailer the RV with cover is on.
- * Do not turn on the air-conditioner or engine of the RV when cover is on.
- * Never install the cover on a wet day or icy day when the roof top is slippery.
- * Never install on a windy day.
- * Make sure RV is securely parked before installing or removing the cover.

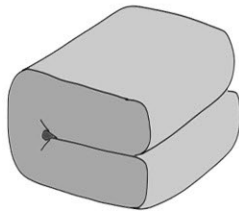


It is strongly recommended that the cover to be installed and removed by at least two people.

What is in the box



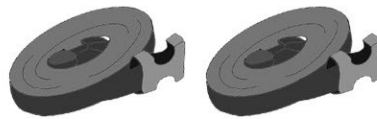
Storage pouch



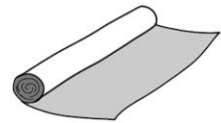
RV cover



Short straps



Windproof long straps

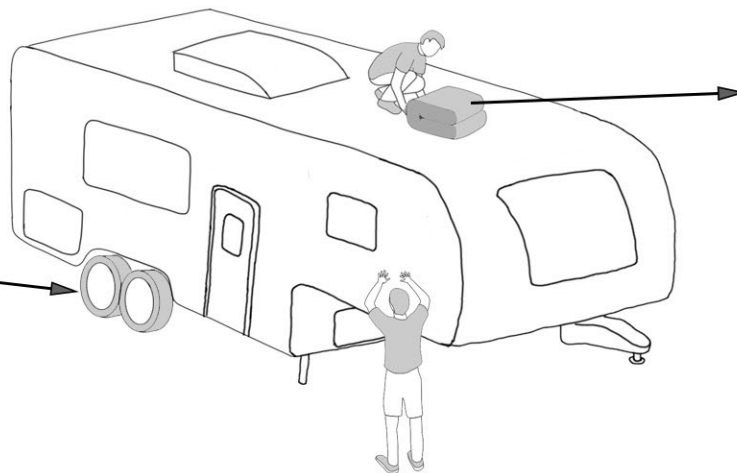


Repair patch

Before installation



Make sure the wheels are securely blocked with wheel stoppers



The "FRONT" label

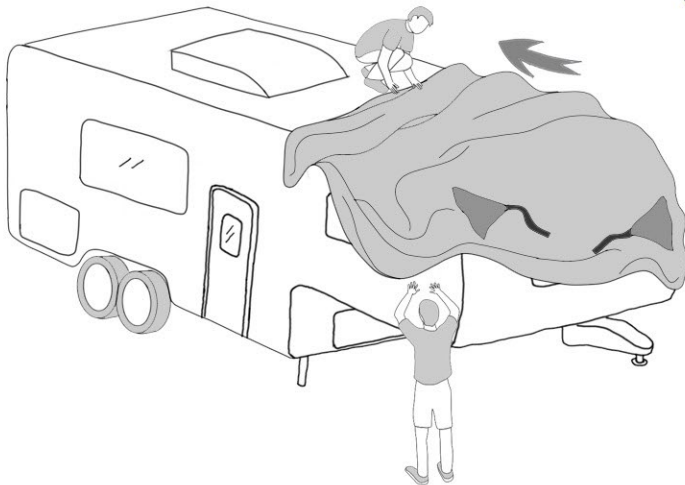
Locate the "FRONT" label in the cover when unfolding the cover. The "FRONT" label side should align with the front of RV

Missing Parts? Replacement? Warranty? Please contact us.

WARNING: Avoid sharp objects on RV. Make sure all sharp objects or sharp corner are properly covered before installing the RV cover.

FIFTH WHEEL RV TRAILER COVER

This manual applies to RV types: Fifth Wheel RV Trailer

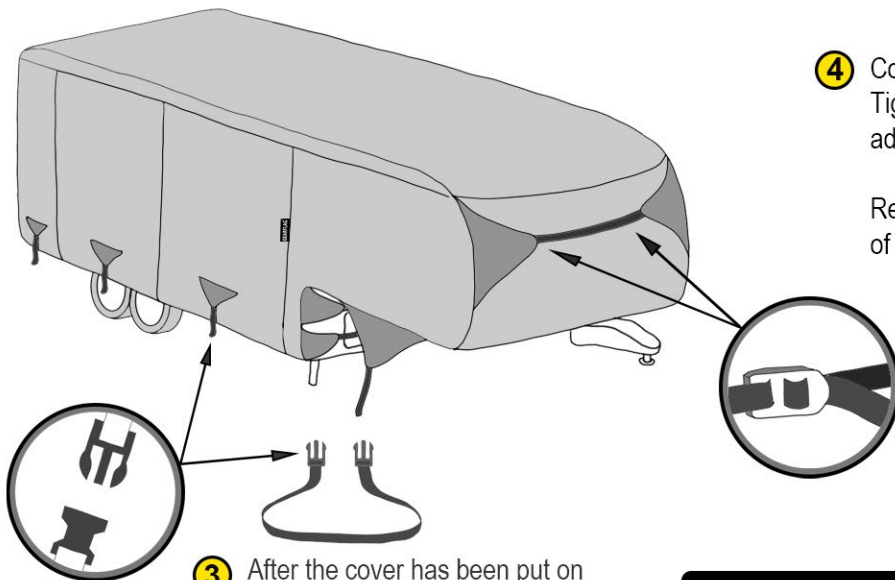


- 1** Carefully climb up to the roof with the cover roll. Place the rv cover at the center of the roof.

Unfold the rv cover. Locate the "FRONT" label stitching on the rv cover. The side with "FRONT" label should be aligned to the front of RV / camper.

- 2** Starting from the front, allow the side panels of 4 corners to be free fall. Make sure you have another person on the ground to help catching the side panels.

DO NOT step on the cover.
DO NOT stretch the cover before the camper is fully covered.



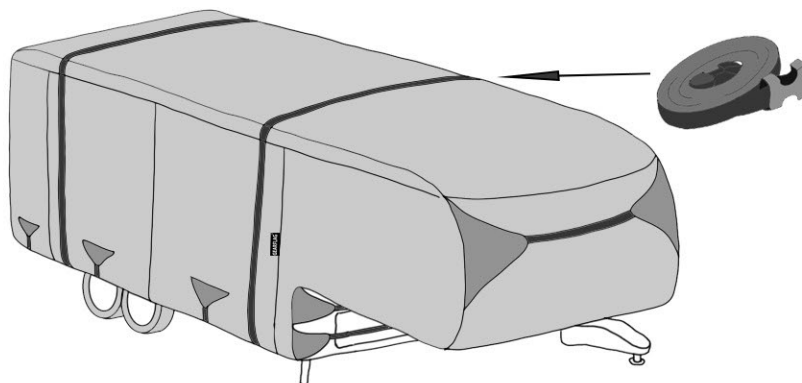
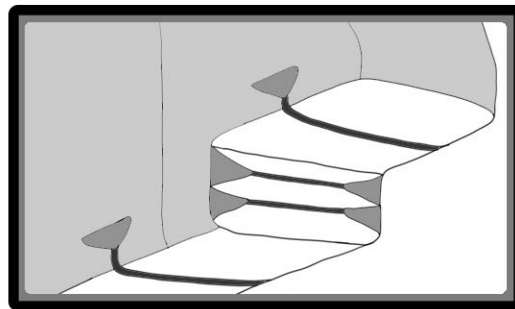
- 4** Connect the front pair straps together. Tighten the straps if necessary to adjust the cover width.

Repeat the same process to the rear of the camper.

The rv cover is equipped with three zipper rollup panels. It allows for easy access to inside of the camper and different compartments.

- 3** After the cover has been put on the RV. Make sure the elastic hems are wrapping below the camper.

Attach one end of the short straps to the triangle flaps straps. And throw the other end of the strap across the bottom of camper. Attach to opposite side of triangle flap as shown at right figure.



5 Recommendation

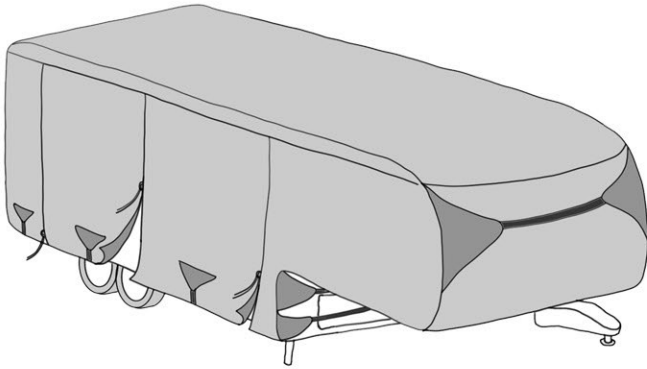
For better protection from wind and long term storage, it is strongly recommended to wrap around the whole camper cover with the long windproof straps after installation is completed.

For missing part and warranty, please contact us support@gearflag.com

FIFTH WHEEL RV TRAILER COVER

This manual applies to RV types: Fifth Wheel RV Trailer

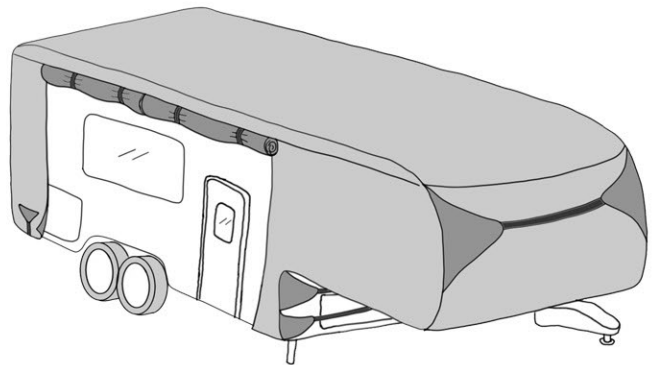
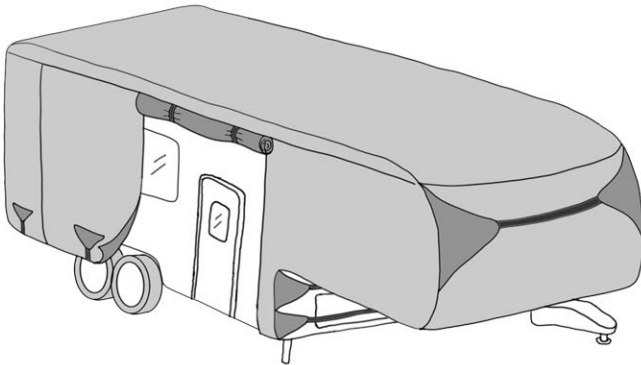
Make sure to align the zipper panel side to the right side of the RV where the doors and window are located

**Fifth RV Trailer:**

There are 3 zippers with two roll up panels on one side.

Class B camper van:

There are 2 roll up panels on each side of the camper van. And there is 1 roll up panel at the rear side of the camper van for easy access of rear door opening.

**Warning**

When camper cover is installed on the rv or camper:

- Do not turn on airconditioner
- Do not turn on engine
- Do not turn on generator (if any)
- Do not stay inside of the rv or camper for long time
- Do not trailer or move your rv
- Do not leave children, babies or pets inside of the rv
- Keep fire away from the camper with cover on