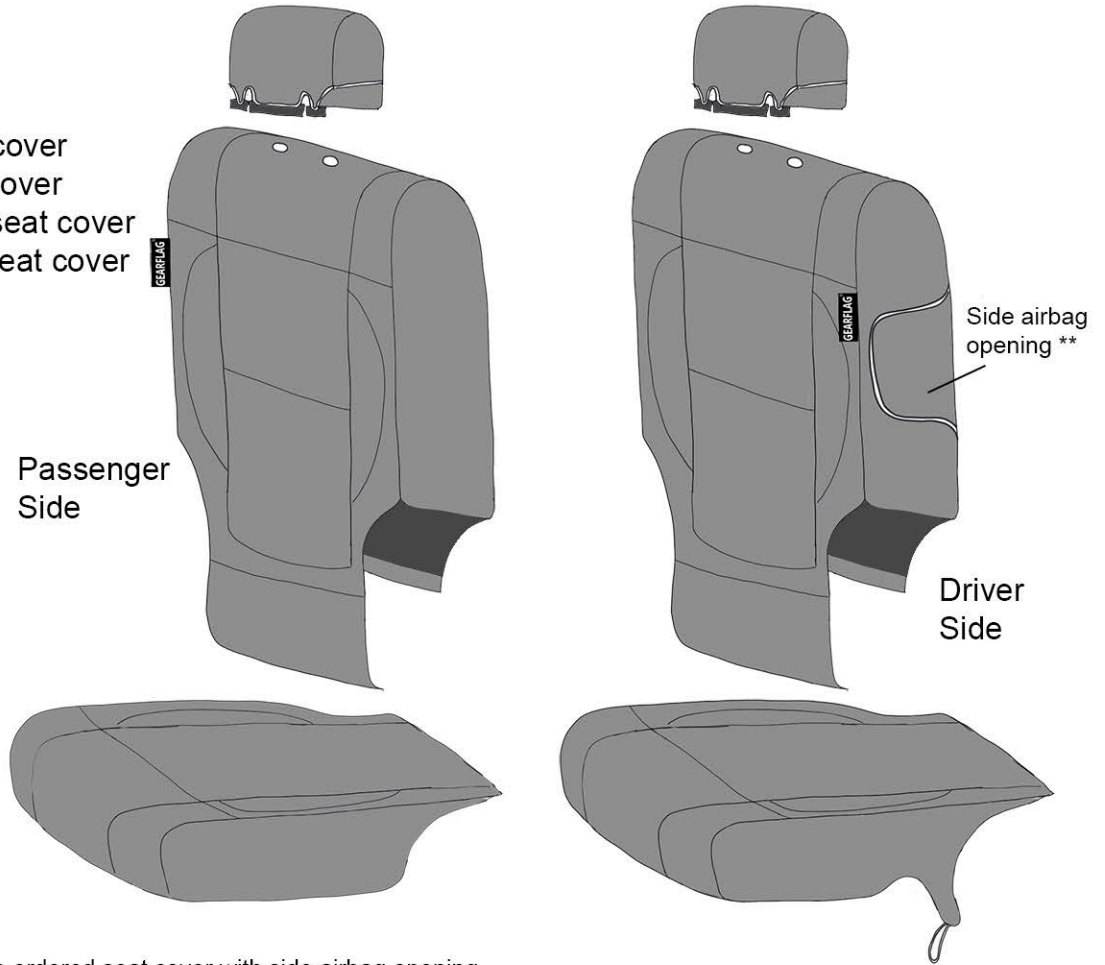




WRANGLER JK (4-DOORS) FRONT AND REAR SEAT COVERS

Front Seats *

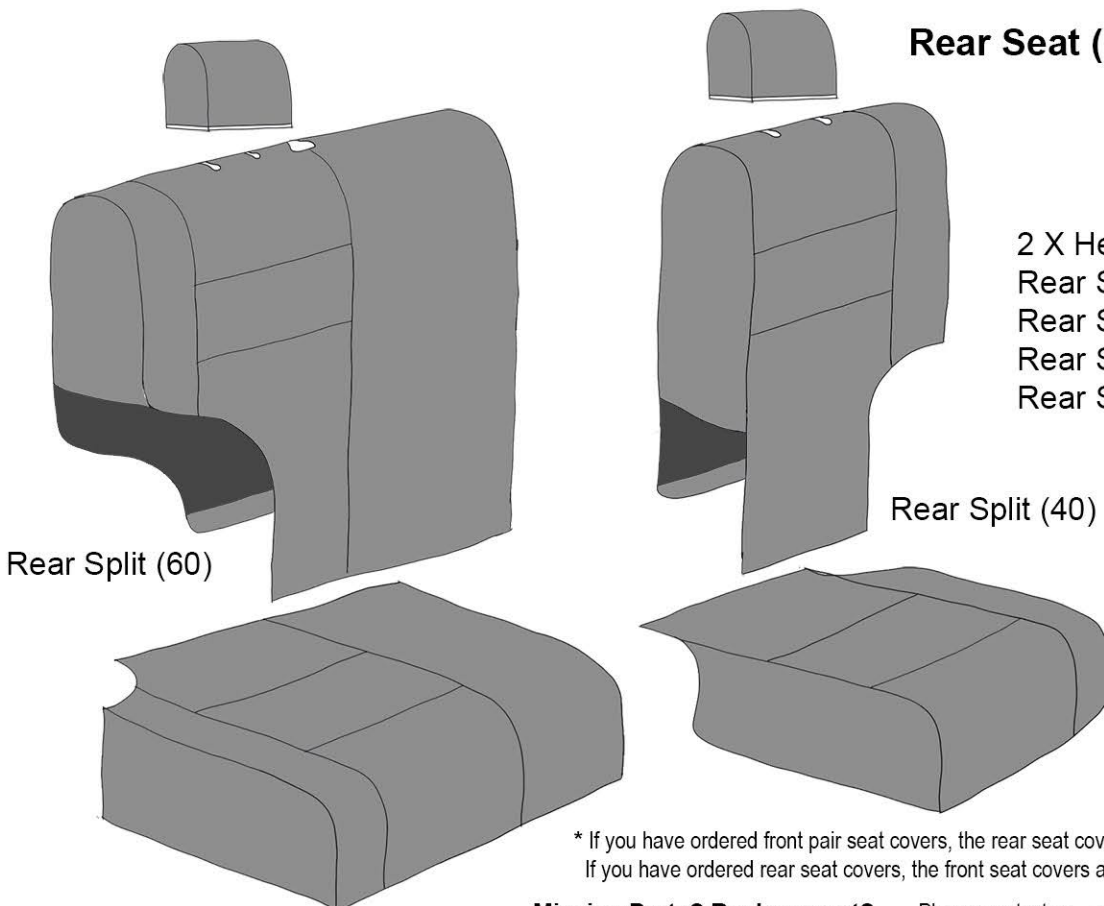
- 2 X headrest covers
- Driver side upper seat cover
- Driver side lower seat cover
- Passenger side upper seat cover
- Passenger side lower seat cover



1 Bag of Metal Clips

** Only equipped If you have ordered seat cover with side airbag opening.

Rear Seat (60/40 Split Type) *



- 2 X Headrest covers
- Rear Split (60) upper cover
- Rear Split (60) lower cover
- Rear Split (40) upper cover
- Rear Split (40) lower cover

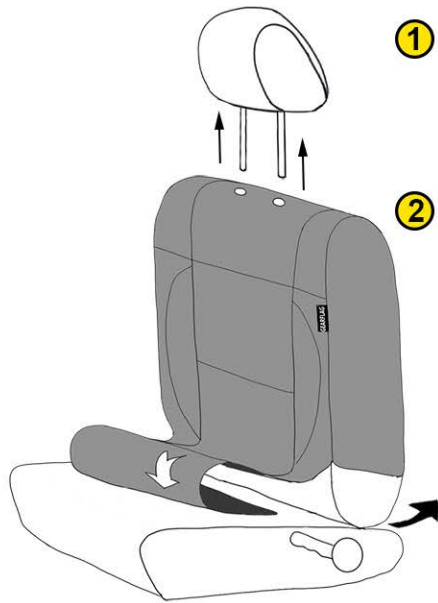
* If you have ordered front pair seat covers, the rear seat covers are not included.
If you have ordered rear seat covers, the front seat covers are not included.

Missing Parts? Replacement? Please contact us. email: support@gearflag.com

This is brand new seat cover, folding wrinkle will be found when taking out of box. Neoprene is flexible material. After fitting on the seats, the folding wrinkle will eventually disappear for certain of time.

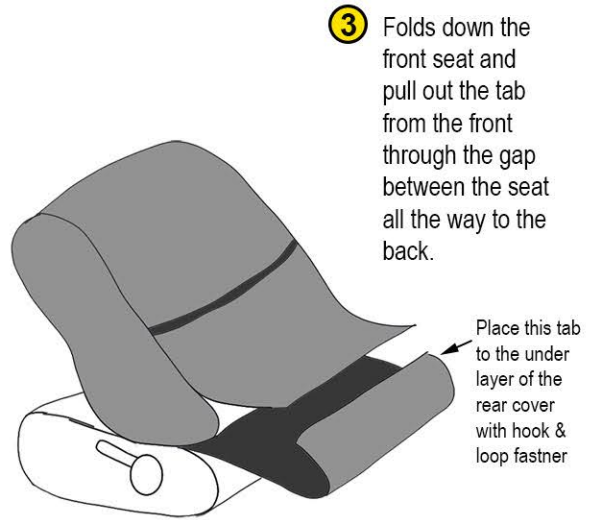
WRANGLER JK FRONT SEAT INSTALLATION

Please check all the parts before installation.
Start installing on driver side front seat first.



1 Release both front seat headrests

2 Put on the top half of front driver side seat cover

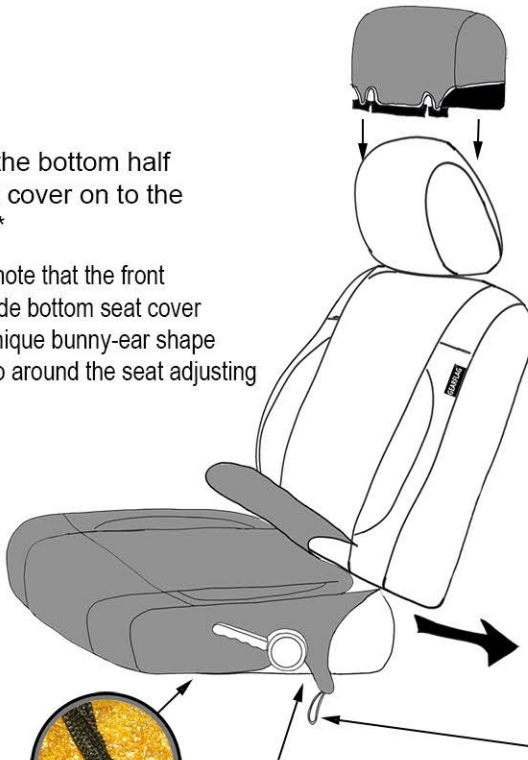


3 Folds down the front seat and pull out the tab from the front through the gap between the seat all the way to the back.

Place this tab to the under layer of the rear cover with hook & loop fastener

4 Place the bottom half of seat cover on to the seat. **

Please note that the front driver side bottom seat cover has a unique bunny-ear shape tab to go around the seat adjusting lever.



5 Place the headrest back to the seat.
And put on the headrest cover on to the headrest.

6 Repeat the installation to the passenger side front seat.

This is brand new seat cover, folding wrinkle will be found when taking out of box. Neoprene is flexible material. After fitting on the seats, the folding wrinkle will eventually disappear for certain of time. Due to the snug fit of the seat covers, some effort may be required for installation.

Any question? Feel free to ask us.
email: support@gearflag.com
FB messenger: @gearflag

The metal hook on the elastic loops hook on the metal wire underneath the seat



** Please note that the front driver side bottom seat cover has a bunny-ear shape tab to go around the seat adjusting lever.

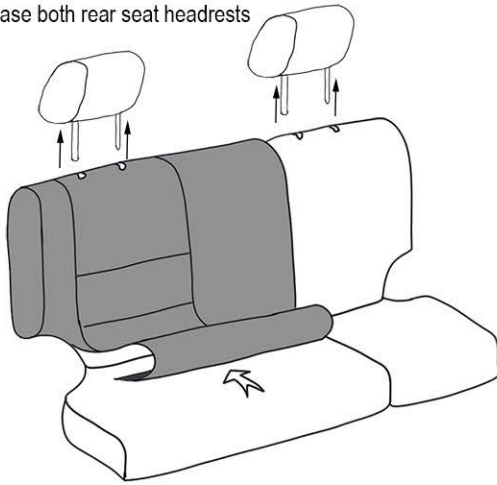


Connect the metal hook to each of the elastic loop.

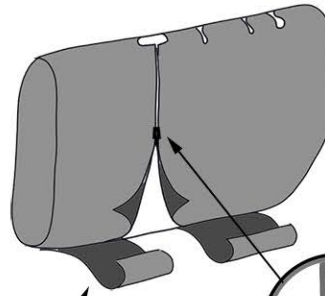
WRANGLER JK 4-DOORS REAR SEAT INSTALLATION (60/40 SPLIT)

Please check all the parts before installation.

1 Release both rear seat headrests

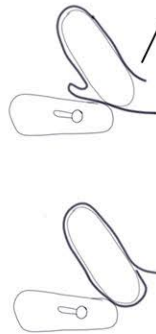
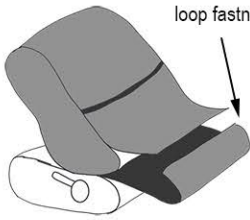


2 Larger part of upper seat cover. Unzip the back of the seat cover. Slip on the seat cover from the top. Then zip up the back again. Due to the snug fit, an effort may be applied.

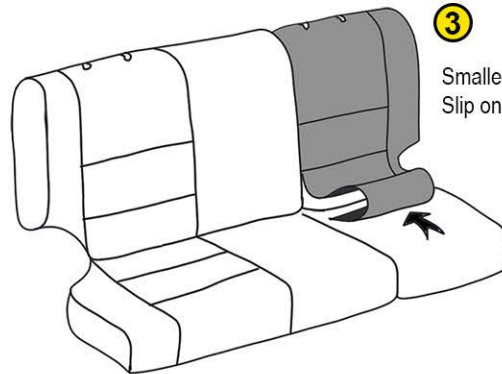


Place this tab to the under layer of the rear cover with hook & loop fastener

Folds down the rear seat and pull out the tab from the front through the gap between the seat all the way to the back.

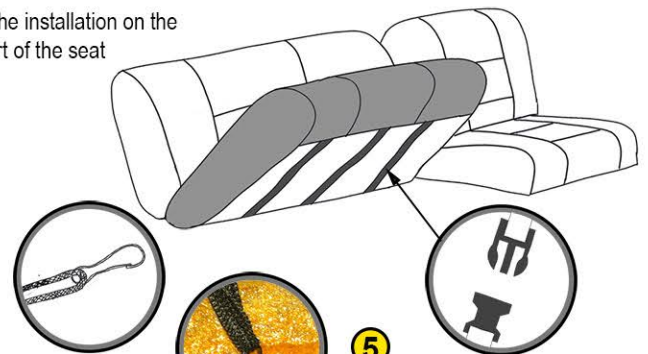
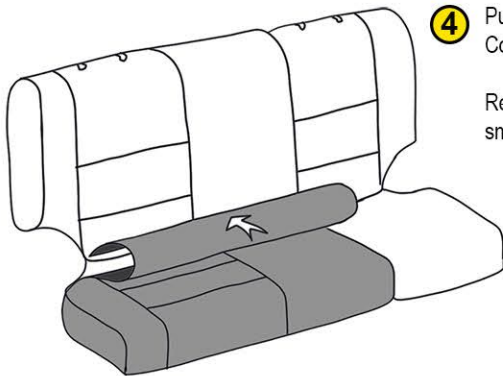


3 Smaller part of upper seat cover. Slip on the seat cover.

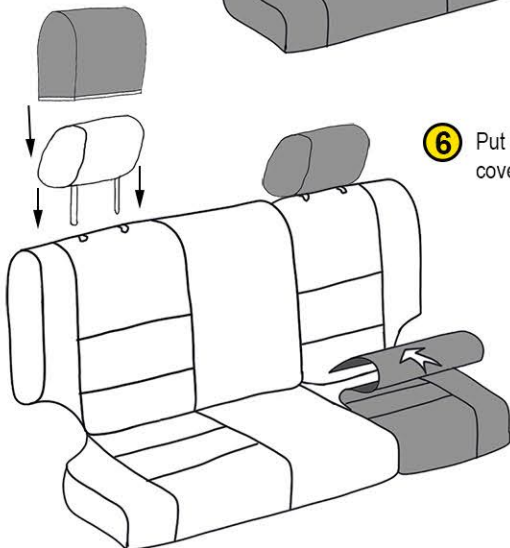


4 Put on the lower part of the seat cover. Connect the straps under the seats

Repeat the installation on the small part of the seat



6 Put the headrest cover on headrest.



The metal hook on the elastic loops hook on the metal wire underneath the seat

5 Connect the metal hook to each of the elastic loop.

This is brand new seat cover, folding wrinkle will be found when taking out of box. Neoprene is flexible material. After fitting on the seats, the folding wrinkle will eventually disappear for certain of time. Due to the snug fit of the seat covers, some effort may be required for installation.